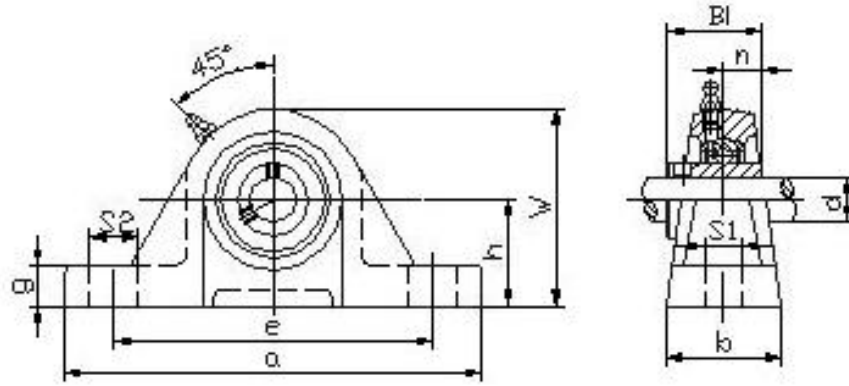


**SICHUAN MIGHTY MACHINERY CO., LTD.**

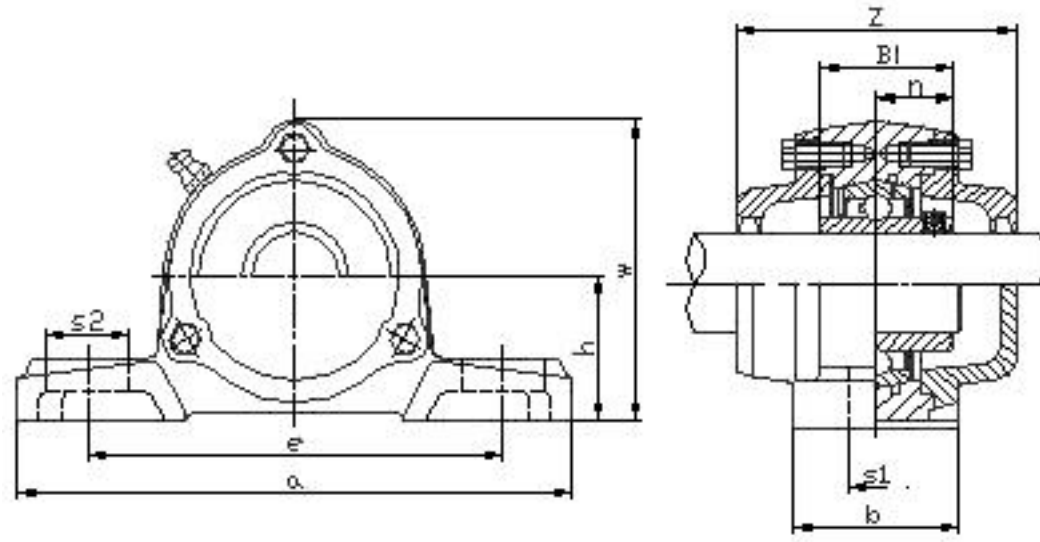


**BEARING HOUSING**

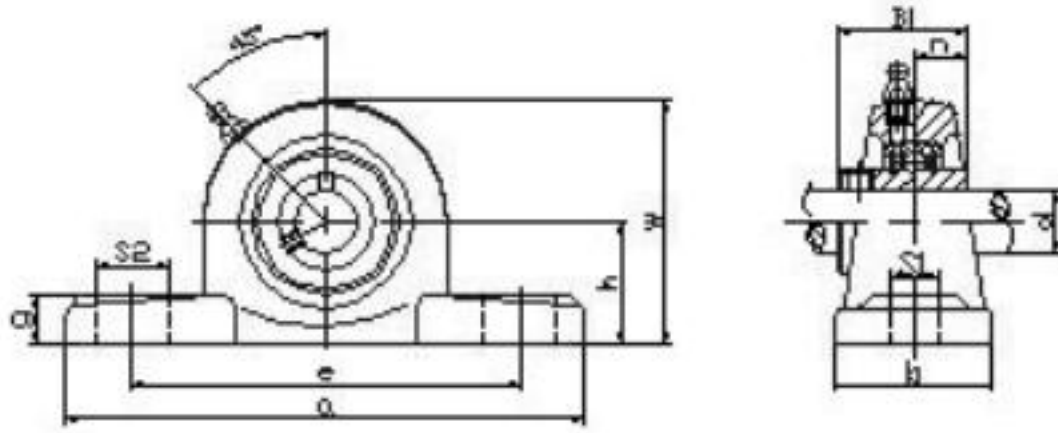
Web: [www.si-bearings.com](http://www.si-bearings.com) Tel: 86-28-86736779



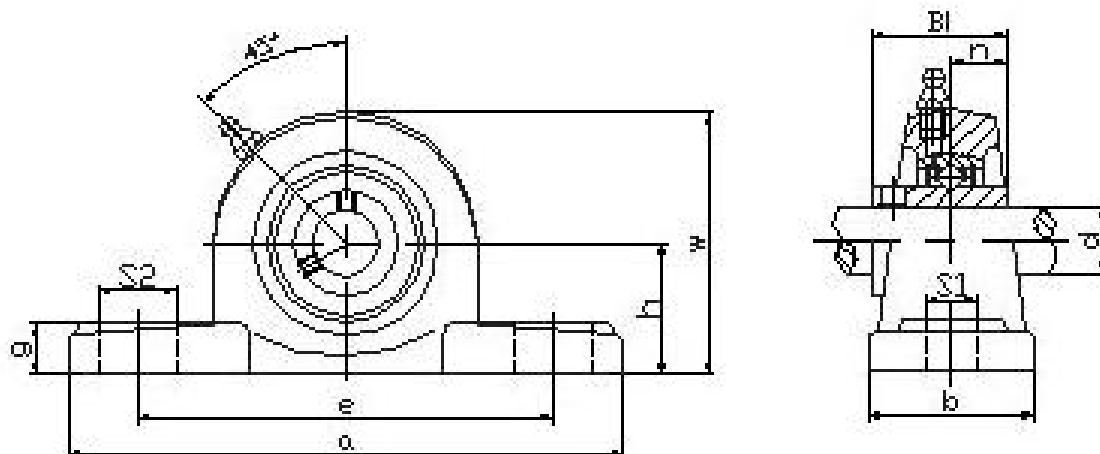
Bearing Uint No.	Shaft Dia d		Dimensinons(mm)										Bolt Used		Bearing No.	Housing No.	Housing Wt (kg)
	(in)	(mm)	h	a	e	b	S2	S1	g	w	Bi	n	(mm)	(in)			
UCPE201-8	1/2		30.2	124	95	31	15	11	14	57.1	26	10	M8	5/16	UCW201-8	PE203	0.45
UCPE202-9	5/9														UCW202-9		
UCPE202-10	5/8														UCW202-10		
UCPE203-11	2/3														UCW203-11		
UCPE201		12													UCW201		
UCPE202		15													UCW202		
UCPE203		17													UCW203		
UCPE204-12	3/4		33.3	127	95	38	16	13	15	65	31	12.7	M10	3/8	UC204-12	PE204	0.65
UCPE204		20													UC204		
UCPE205-13	13/16		36.6	140	105	38	16	13	16	70	34	14.3	M10	3/8	UC205-13	PE205	0.75
UCPE205-14	7/8														UC205-14		
UCPE205-15	15/16														UC205-15		
UCPE205-16	1														UC205-16		
UCPE205		25													UC205		
UCPE206-17	1-1/16		42.9	165	121	48	21	17	18	83	38.1	15.9	M14	1/2	UC206-17	PE206	1.15
UCPE206-18	1-1/8														UC206-18		
UCPE206-19	1-3/16														UC206-19		
UCPE206-20	1-1/4														UC206-20		
UCPE206		30													UC206		
UCPE207-20	1-1/4		47.6	167	127	48	21	17	19	94	42.9	17.5	M14	1/2	UC207-20	PE207	1.3
UCPE207-21	1-5/16														UC207-21		
UCPE207-22	1-3/8														UC207-22		
UCPE207-23	1-7/16														UC207-23		
UCPE207		35													UC207		
UCPE208-24	1-1/2		49.2	184	137	54	25	17	19	100	49.2	19	M14	1/2	UC208-24	PE208	1.5
UCPE208-25	1-9/16														UC208-25		
UCPE208		40													UC208		
UCPE209-26	1-5/8		54	190	146	54	25	17	20	108	49.2	19	M14	1/2	UC209-26	PE209	1.75
UCPE209-27	1-11/16														UC209-27		
UCPE209-28	1-3/4														UC209-28		
UCPE209		45													UC209		
UCPE210-29	1-13/16		57.2	206	159	60	25	20	22	114	51.6	19	M16	5/8	UC210-29	PE210	2.35
UCPE210-30	1-7/8														UC210-30		
UCPE210-31	1-15/16														UC210-31		
UCPE210-32	2														UC210-32		
UCPE210		50													UC210		
UCPE211-32	2		63.5	219	171	60	25	20	22	126	55.6	22.2	M16	5/8	UC211-32	PE211	2.6
UCPE211-33	2-1/16														UC211-33		
UCPE211-34	2-1/8														UC211-34		
UCPE211-35	2-3/16														UC211-35		
UCPE211		55													UC211		
UCPE212-36	2-1/4		69.8	241	184	70	25	20	25	138	65.1	25.4	M16	5/8	UC212-36	PE212	4
UCPE212-37	2-5/16														UC212-37		
UCPE212-38	2-3/8														UC212-38		
UCPE212-39	2-7/16														UC212-39		
UCPE212		60													UC212		
UCPE213-40	2-1/2		76.2	265	203	70	29	25	27	150	65.1	25.4	M20	3/4	UC213-40	PE213	4.77
UCPE213-41	2-9/16														UC213-41		
UCPE213		65													UC213		
UCPE214-42	2-5/8		79.4	266	210	72	31	25	27	156	74.6	30.2	M20	3/4	UC214-42	PE214	5.3
UCPE214-43	2-11/16														UC214-43		
UCPE214-44	2-3/4														UC214-44		
UCPE214		70													UC214		
UCPE215-45	2-13/16		82.6	275	217	74	31	25	28	163	77.8	33.3	M20	3/4	UC215-45	PE215	6
UCPE215-46	2002-7-8														UC215-46		
UCPE215-47	2-15/16														UC215-47		
UCPE215-48	3														UC215-48		
UCPE215		75													UC215		



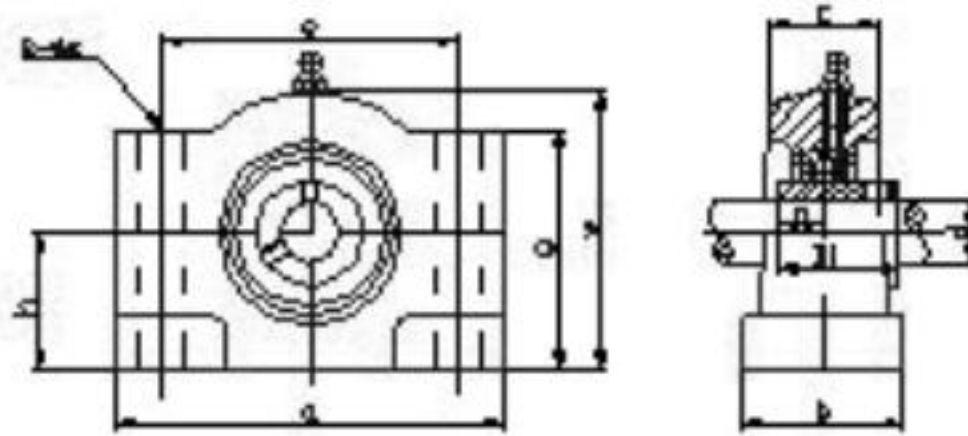
Bearing Unit NO.	Shaft Dia		Dimensions(mm)										Bolt Used		Bearing No.	Housing No.	Housing Wt (kg)
	(in)	(mm)	h	a	e	b	s1	s2	W	Z	Bi	n	mm	in			
UCCP201C-8	1/2	12													UC201-8		
UCCP202C-9	9/16	15													UC202-9		
UCCP202C-10	5/8	17													UC202-10		
UCCP203C-11	11/16		30.2	127	95	38	13	19	66	62	31	12.7	M10	3/8	UC203-11	CP201	0.89
UCCP201C															UC201	CP202	
UCCP202C															UC202	CP203	
UCCP203C															UC203		
UCCP204C-12	3/4														UC204-12		
UCCP204C		20	33.3	127	95	38	13	19	69	62	31	12.7	M10	3/8	UC204	CP204	0.89
UCCP205C-13	13/16														UC205-13		
UCCP205C-14	7/8														UC205-14		
UCCP205C-15	15/16		36.5	140	105	38	13	19	76	70	34	14.3	M10	3/8	UC205-15	CP205	1.21
UCCP205C-16	1														UC205-16		
UCCP205C		25													UC205		
UCCP206C-17	1-1/16														UC206-17		
UCCP206C-18	1-1/8														UC206-18		
UCCP206C-19	1-3/16		42.9	165	121	48	17	21	87	74	38.1	15.9	M14	1/2	UC206-19	CP206	1.69
UCCP206C-20	1-1/4														UC206-20		
UCCP206C		30													UC206		
UCCP207C-20	1-1/4														UC207-20		
UCCP207C-21	1-5/16														UC207-21		
UCCP207C-22	1-3/8		47.6	167	127	48	17	21	97	80	42.9	17.5	M14	1/2	UC207-22	CP207	2.01
UCCP207C-23	1-7/16														UC207-23		
UCCP207C		35													UC207		
UCCP208C-24	1-1/2														UC208-24		
UCCP208C-25	1-9/16		49.2	184	137	54	17	25	104	90	49.2	19	M14	1/2	UC208-25	CP208	2.37
UCCP208C		40													UC208		
UCCP209C-26	1-5/8														UC209-26		
UCCP209C-27	1-11/16														UC209-27		
UCCP209C-28	1-3/4		54	190	146	54	17	22	114	90	49.2	19	M14	1/2	UC209-28	CP209	2.72
UCCP209C		45													UC209		
UCCP210C-29	1-13/16														UC210-29		
UCCP210C-30	1-7/8														UC210-30		
UCCP210C-31	1-15/16		57.2	206	159	60	20	25	120	98	51.6	19	M16	5/8	UC210-31	CP210	3.31
UCCP210C-32	2														UC210-32		
UCCP210C		50													UC210		
UCCP211C-32	2														UC211-32		
UCCP211C-33	2-1/16														UC211-33		
UCCP211C-34	2-1/8		63.5	219	171	60	20	25	133	100	55.6	22.2	M16	5/8	UC211-34	CP211	4.06
UCCP211C-35	2-3/16														UC211-35		
UCCP211C		55													UC211		
UCCP212C-36	2-1/4														UC212-36		
UCCP212C-37	2-5/16														UC212-37		
UCCP212C-38	2-3/8		69.8	241	184	70	20	25	145	114	65.1	25.4	M16	5/8	UC212-38	CP212	5.34
UCCP212C-39	2-7/16														UC212-39		
UCCP212C		60													UC212		
UCCP213C-40	2-1/2														UC213-40		
UCCP213C-41	2-9/16		76.2	265	203	70	25	29	156	118	65.1	25.4	M22	7/8	UC213-41	CP213	6.17
UCCP213C		65													UC213		
UCCP214C-42	2-5/8														UC214-42		
UCCP214C-43	2-11/16														UC214-43		
UCCP214C-44	2-3/4		79.4	266	210	72	25	31	162	134	74.6	30.2	M22	7/8	UC214-44	CP214	7.36
UCCP214C		70													UC214		
UCCP215C-45	2-13/16														UC215-45		
UCCP215C-46	2-7/8														UC215-46		
UCCP215C-47	2-15/16		82.6	275	217	74	25	31	167	136	77.8	33.3	M22	7/8	UC215-47	CP215	7.46
UCCP215C-48	3														UC215-48		
UCCP215C		75													UC215		
UCCP216C-50	3-1/8														UC216-50		
UCCP216C		80	88.9	292	232	78	25	31	188	146	82.6	33.3	M22	7/8	UC216	CP216	9.48
UCCP217C-52	3-1/4														UC217-52		
UCCP217C		85	95.2	310	247	83	25	31	199	150	85.7	34.1	M22	7/8	UC217	CP217	10.97
UCCP218C-56	3-1/2														UC218-56		
UCCP218C		90	101.6	327	262	88	27	33	211	164	96	39.7	M24	1	UC218	CP218	14.03



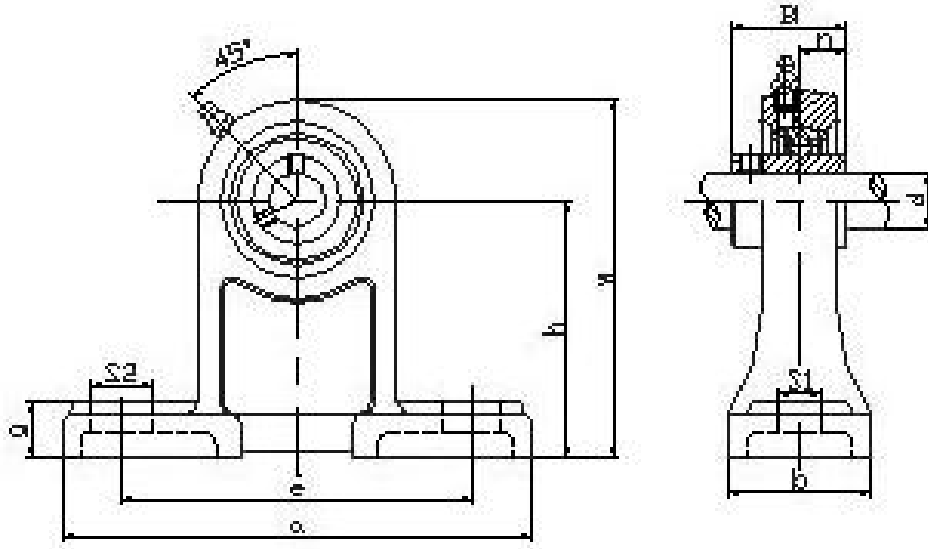
Bearing Unit NO.	Shaft Dia d		Dimensions(mm)										Bolt Used		Bearing No.	Housing No.	Housing Wt (kg)
	(in)	(mm)	h	a	e	b	s1	s2	g	w	Bi	n	(in)	(mm)			
UCLP201-8	1/2	12													UCW201-8		
UCLP202-9	9/16	15													UCW202-9		
UCLP202-10	5/8	17													UCW202-10		
UCLP203-11	11/16		27	121	89	29	12	16	13	56	26	10	3/8	M10	UCW203-11	LP203	0.38
UCLP201															UCW201		
UCLP202															UCW202		
UCLP203															UCW203		
UCLP204-12	3/4														UC204-12		
UCLP204		20	31.8	133	98	32	12	19	13	65	31	12.7	3/8	M10	UC204	LP204	0.5
UCLP205-13	13/16														UC205-13		
UCLP205-14	7/8														UC205-14		
UCLP205-15	15/16		33.3	140	105	38	12	19	16	68	34	14.3	3/8	M10	UC205-15	LP205	0.65
UCLP205-16	1														UC205-16		
UCLP205		25													UC205		
UCLP206-17	1-1/8														UC206-17		
UCLP206-18	1-1/8														UC206-18		
UCLP206-19	1-3/16		39.7	165	124	41	15	22	17	81	38.1	15.9	7/16	M12	UC206-19	LP206	0.85
UCLP206-20	1-1/4														UC206-20		
UCLP206		30													UC206		
UCLP207-20	1-1/4														UC207-20		
UCLP207-21	1-5/16														UC207-21		
UCLP207-22	1-3/8		46	178	137	48	15	22	19	94	42.9	17.5	7/16	M12	UC207-22	LP207	1.25
UCLP207-23	1-7/16														UC207-23		
UCLP207		35													UC207		
UCLP208-24	1-1/2														UC208-24		
UCLP208-25	1-9/16		49.2	184	143	51	15	22	21	100	49.2	19	7/16	M12	UC208-25	LP208	1.45
UCLP208		40													UC208		
UCLP209-26	1-5/8														UC209-26		
UCLP209-27	1-11/16														UC209-27		
UCLP209-28	1-3/4		52.4	197	152	54	15	25	21	106	49.2	19	7/16	M12	UC209-28	LP209	1.8
UCLP209		45													UC209		
UCLP210-29	1-13/16														UC210-29		
UCLP210-30	1-7/8														UC210-30		
UCLP210-31	1-15/16		55.6	213	165	57	15	25	22	113	51.6	19	7/16	M12	UC210-31	LP210	1.95
UCLP210-32	2														UC210-32		
UCLP210		50													UC210		
UCLP211-32	2														UC211-32		
UCLP211-33	2-1/16														UC211-33		
UCLP211-34	2-1/8		61.9	235	181	64	19	29	25	125	55.6	22.2	5/8	M16	UC211-34	LP211	2.85
UCLP211-35	2-3/16														UC211-35		
UCLP211		55													UC211		
UCLP212-36	2-1/4														UC212-36		
UCLP212-37	2-5/16														UC212-37		
UCLP212-38	2-3/8		68.3	248	194	70	19	29	29	138	65.1	25.4	5/8	M16	UC212-38	LP212	3.5
UCLP212-39	2-7/16														UC212-39		
UCLP212		60													UC212		
UCLP213-40	2-1/2														UC213-40		
UCLP213-41	2-9/16		68.3	248	194	70	19	29	29	138	65.1	25.4	5/8	M16	UC213-41	LP213	3.6
UCLP213		65													UC213		



Bearing Unit NO.	Shaft Dia d		Dimensions(mm)										Bolt Used		Bearing NO.	Housing No.	Housing Wt (kg)		
	(in)	(mm)	h	a	e	b	s2	s1	g	w	Bi	n	(in)	(mm)					
UCAK201-8	1/2																UCW201-8	AK203	0.62
UCAK202-10	5/8																UCW202-10		
UCAK201		12	27	121	89	35	16	12	13	54	37.3	13.9	3/8	M10		UCW201			
UCAK202		15														UCW202			
UCAK203		17															UCW203		
UCAK204-12	3/4																UC204-12	AK204	0.6
UCAK204		20	31.8	133	98	41	16	12	14.3	64	43.7	17.1	3/8	M10		UC204			
UCAK205-13	13/16																UC205-13	AK205	0.72
UCAK205-14	7/8																UC205-14		
UCAK205-15	15/16		33.3	140	105	45	16	12	16	68	44.4	17.5	3/8	M10		UC205-15			
UCAK205-16	1															UC205-16			
UCAK205		25															UC205		
UCAK206-17	1-1/16																UC206-17	AK206	0.96
UCAK206-18	1-1/8																UC206-18		
UCAK206-19	1-3/16		39.7	160	121	48	19	15	17	80	48.4	18.3	7/16	M12		UC206-19			
UCAK206-20	1-1/4															UC206-20			
UCAK206		30															UC206		
UCAK207-20	1-1/4																UC207-20	AK207	1.13
UCAK207-21	1-5/16																UC207-21		
UCAK207-22	1-3/8		46	167	127	48	19	15	19	92	51.1	18.8	7/16	M12		UC207-22			
UCAK207-23	1-7/16															UC207-23			
UCAK207		35															UC207		
UCAK208-24	1-1/2																UC208-24	AK208	1.43
UCAK208-25	1-9/16		49.2	181	140	54	19	15	19	100	56.3	21.4	7/16	M12		UC208-25			
UCAK208		40														UC208			
UCAK209-26	1-5/8																UC209-26	AK209	1.65
UCAK209-27	1-11/16																UC209-27		
UCAK209-28	1-3/4		52.4	190	146	54	19	15	21	106	56.3	21.4	7/16	M12		UC209-28			
UCAK209		45														UC209			
UCAK210-29	1-13/16																UC210-29	AK210	1.9
UCAK210-30	1-7/8																UC210-30		
UCAK210-31	1-15/16		55.6	203	159	57	19	15	22	113	62.7	24.6	7/16	M12		UC210-31			
UCAK210-32	2															UC210-32			
UCAK210		50															UC210		
UCAK211-32	2																UC211-32	AK211	2.55
UCAK211-33	2-1/16																UC211-33		
UCAK211-34	2-1/8		61.9	232	181	60	24	20	25	125	71.4	27.8	5/8	M16		UC211-34			
UCAK211-35	2-3/16															UC211-35			
UCAK211		55															UC211		
UCAK212-36	2-1/4																UC212-36	AK212	3.1
UCAK212-37	2-5/16																UC212-37		
UCAK212-38	2-3/8		68.3	241	190	64	24	20	29	138	77.8	31	5/8	M16		UC212-38			
UCAK212-39	2-7/16															UC212-39			
UCAK212		60															UC212		
UCAK213-40	2-1/2																UC213-40	AK213	4.56
UCAK213-41	2-9/16		68.3	248	194	70	29	22	27	141	85.7	34.1	3/4	M20		UC213-41			
UCAK213		65														UC213			
UCAK214-42	2-5/8																UC214-42	AK214	5.13
UCAK214-43	2-11/16																UC214-43		
UCAK214-44	2-3/4		82.6	294	232	72	32	22	29	160	85.7	34.1	3/4	M20		UC214-44			
UCAK214		70														UC214			
UCAK215-45	2-13/16																UC215-45	AK215	6.65
UCAK215-46	2-7/8																UC215-46		
UCAK215-47	2-15/16		84.1	304	241	74	32	22	32	165	92.1	37.3	3/4	M20		UC215-47			
UCAK215-48	3															UC215-48			
UCAK215		75															UC215		



Bearing Unit No.	Shaft Dia d		Dimensions(mm)										Bolt Used		Bearing No.	Housing No.	Housing Wt (kg)
	(in)	(mm)	h	a	e	b	c	g	w	s	Bi	n	(mm)	(in)			
UCSB205-13	13/16	25	31.7	92	70	38	25	58	66.7	11	34.1	14.3	M10	3/8	UC205-13	SB205	0.65
UCSB205-14	7/8														UC205-14		
UCSB205-15	15/16														UC205-15		
UCSB205-16	1														UC205-16		
UCSB205															UC205		
UCSB206-17	1-1/16	30	38.1	108	83	44	30	68	78.1	11	38.1	15.9	M10	3/8	UC206-17	SB206	0.72
UCSB206-18	1-1/8														UC206-18		
UCSB206-19	1-3/16														UC206-19		
UCSB206-20	1-1/4														UC206-20		
UCSB206															UC206		
UCSB207-20	1-1/4	35	44.4	133	102	48	33	76	94.4	14	42.9	17.5	M12	7/16	UC207-20	SB207	0.75
UCSB207-21	1-5/16														UC207-21		
UCSB207-22	1-3/8														UC207-22		
UCSB207-23	1-7/16														UC207-23		
UCSB207															UC207		
UCSB208-24	1-1/2	40	47.6	140	108	54	39	81	99.63	14	49.2	19	M12	7/16	UC208-24	SB208	1.75
UCSB208-25	1-9/16														UC208-25		
UCSB208															UC208		
UCSB209-26	1-5/8	45	50.8	146	111	54	39	86	104.8	14	49.2	19	M12	7/16	UC209-26	SB209	2.2
UCSB209-27	1-11/16														UC209-27		
UCSB209-28	1-3/4														UC209-28		
UCSB209															UC209		
UCSB210-29	1-13/16	50	54	152	118	60	41	90	109.97	14	51.6	19	M12	7/16	UC210-29	SB210	2.4
UCSB210-30	1-7/8														UC210-30		
UCSB210-31	1-15/16														UC210-31		
UCSB210-32	2														UC210-32		
UCSB210															UC210		
UCSB211-32	2	55	58.7	172	137	60	41	98	121.74	18	55.6	22.2	M16	5/8	UC211-32	SB211	3.3
UCSB211-33	2-1/16														UC211-33		
UCSB211-34	2-1/8														UC211-34		
UCSB211-35	2-3/16														UC211-35		
UCSB211															UC211		
UCSB212-36	2-1/4	60	69.9	197	162	65	48	111	146	17	65.1	25.4	M16	5/8	UC212-36	SB212	5
UCSB212-37	2-5/16														UC212-37		
UCSB212-38	2-3/8														UC212-38		
UCSB212-39	2-7/16														UC212-39		
UCSB212															UC212		
UCSB213-40	2-1/2	65	69.9	197	162	65	48	111	146	17	65.1	25.4	M16	5/8	UC213-40	SB213	4.5
UCSB213-41	2-9/16														UC213-41		
UCSB213															UC213		
UCSB214-42	2-5/8	70	76.2	206	172	73	60	117	155	17	74.6	30.2	M16	5/8	UC214-42	SB214	6
UCSB214-43	2-11/16														UC214-43		
UCSB214-44	2-3/4														UC214-44		
UCSB214															UC214		
UCSB215-45	2-13/16	75	76.2	206	172	73	60	117	155	17	77.8	33.3	M16	5/8	UC215-45	SB215	5.74
UCSB215-46	2-7/8														UC215-46		
UCSB215-47	2-15/16														UC215-47		
UCSB215-48	3														UC215-48		
UCSB215															UC215		
UCSB216-50	3-1/8	80	82.6	238	191	86	64	127	168	21	82.6	33.3	M20	3/4	UC216-50	SB216	7.76
UCSB216															UC216		
UCSB217-52	3-1/4	85	88.9	254	203	89	64	136	181	21	85.7	34.1	M20	3/4	UC217-52	SB217	9.64
UCSB217															UC217		
UCSB218-56	3-1/2	90	98.4	273	222	92	67	152	200	25	96	39.7	M24		UC218-56	SB218	11.83
UCSB218															UC218		
UCSBX20-63	3-15/16	100	108	298	241	108	70	178	221	26	117.5	49.2	M24		UCX20-63	SBX20	17.4
UCSBX20-64	4														UCX20-64		
UCSBX20															UCX20		



Bearing Uint No.	Shaft Dia d		Dimensinons(mm)										Bolt Used		Bearing No.	Housing No.	Housing Wt(kg)	
	(in)	(mm)	h	a	e	b	S2	S1	g	w	Bi	n	(mm)	(in)				
UCPH201-8	1/2		70	127	95	40	19	13	15	101	31	12.7	M10	3/8	UC201-8	PH204	0.75	
UCPH202-9	9/16														UC202-9			
UCPH202-10	5/8														UC202-10			
UCPH203-11	11/16														UC203-11			
UCPH204-12	3/4														UC204-12			
UCPH201		12													UC201			
UCPH202		15													UC202			
UCPH203		17													UC203			
UCPH204		20													UC204			
UCPH205-13	13/16		25	80	140	105	50	19	13	16	114	34.1	14.3	M10	3/8	UC205-13	PH205	1
UCPH205-14	7/8															UC205-14		
UCPH205-15	15/16															UC205-15		
UCPH205-16	1															UC205-16		
UCPH205																UC205		
UCPH206-17	1-1/16		30	90	165	121	50	21	17	18	130	38.1	15.9	M14	1/2	UC206-17	PH206	1.42
UCPH206-18	1-1/8															UC206-18		
UCPH206-19	1-3/16															UC206-19		
UCPH206-20	1-1/4															UC206-20		
UCPH206																UC206		
UCPH207-20	1-1/4		35	95	167	127	60	21	17	19	140	42.9	17.5	M14	1/2	UC207-20	PH207	1.55
UCPH207-21	1-5/16															UC207-21		
UCPH207-22	1-3/8															UC207-22		
UCPH207-23	1-7/16															UC207-23		
UCPH207																UC207		
UCPH208-24	1-1/2		40	100	184	137	70	25	17	19	149	49.2	19	M14	1/2	UC208-24	PH208	2.15
UCPH208-25	1-9/16															UC208-25		
UCPH208																UC208		
UCPH209-26	1-5/8		45	105	190	146	70	25	17	20	157	49.2	19	M14	1/2	UC209-26	PH209	2.31
UCPH209-27	1-11/16															UC209-27		
UCPH209-28	1-3/4															UC209-28		
UCPH209																UC209		
UCPH210-29	1-13/16		50	110	206	159	70	25	20	22	165	51.6	19	M16	5/8	UC210-29	PH210	2.8
UCPH210-30	1-7/8															UC210-30		
UCPH210-31	1-15/16															UC210-31		
UCPH210-32	2															UC210-32		
UCPH210																UC210		
UCPH211-32	2		55	120	219	171	75	22	19	22	181	55.6	22.2	M16	5/8	UC211-32	PH211	4.4
UCPH211-33	2-1/16															UC211-33		
UCPH211-34	2-1/8															UC211-34		
UCPH211-35	2-3/16															UC211-35		
UCPH211																UC211		
UCPH212-36	2-1/4		60	130	235	184	85	23	19	25	197	65.1	25.4	M16	5/8	UC212-36	PH212	4.8
UCPH212-37	2-5/16															UC212-37		
UCPH212-38	2-3/8															UC212-38		
UCPH212-39	2-7/16															UC212-39		
UCPH212																UC212		
UCPH213-40	2-1/12		65	140	262	203	95	28	23	27	212	65.1	25.4	M20	3/4	UC213-40	PH213	5.6
UCPH213-41	2-9/16															UC213-41		
UCPH213																UC213		
UCPH214-42	2-5/8		70	150	268	210	105	28	23	28	225	74.6	30.2	M20	3/4	UC214-42	PH214	6.2
UCPH214-43	2-11/16															UC214-43		
UCPH214-44	2-3/4															UC214-44		
UCPH214																UC214		
UCPH215-45	2-13/16		75	160	275	217	115	28	23	29	238	77.8	33.3	M20	3/4	UC215-45	PH215	7.4
UCPH215-46	2-7/8															UC215-46		
UCPH215-47	2-15/16															UC215-47		
UCPH215-48	3															UC215-48		
UCPH215																UC215		
UCPH216-50	3-1/8		80	170	290	232	125	28	23	30	253	82.6	33.3	M20	3/4	UC216-50	PH216	8
UCPH216																UC216		